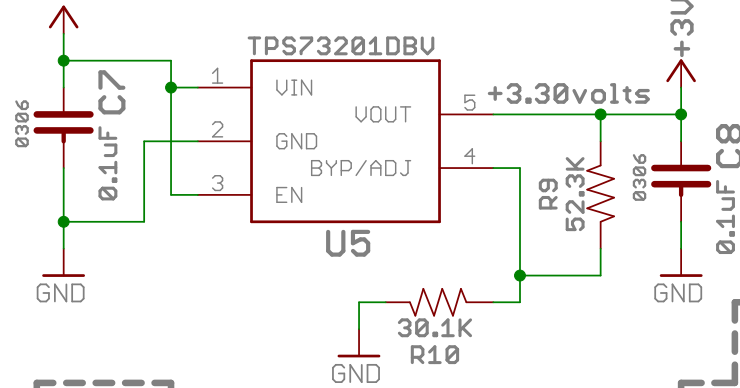
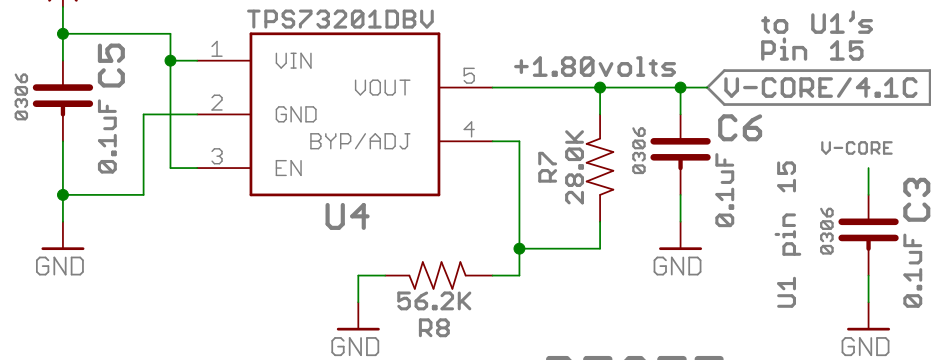


Power Supply Voltage Regulators

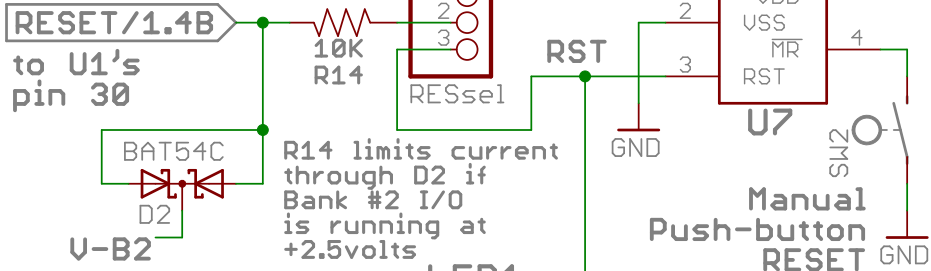


RESET

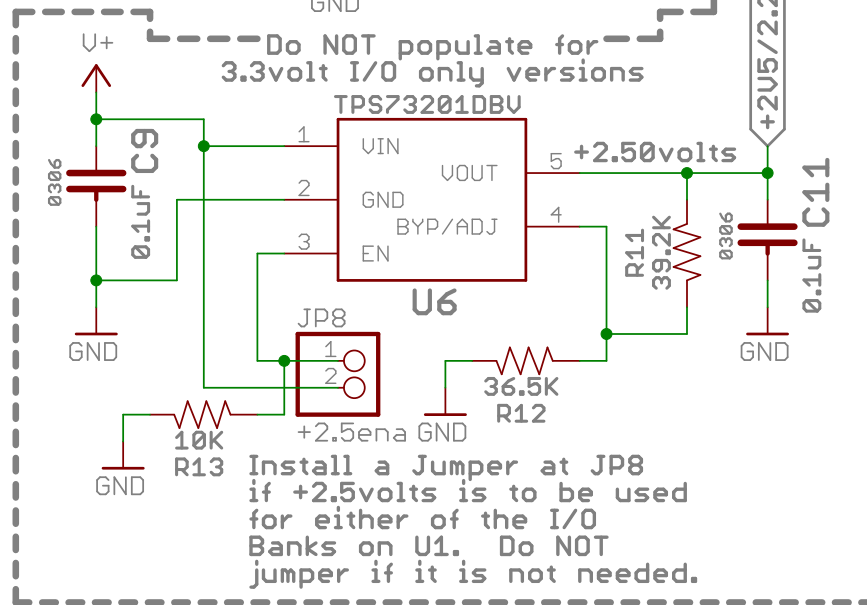
JP9 selects the Assertion Level for the "RESET" line to U1's pin 30

Reset Timeout= 140ms <-> 280ms
Vthreshold = 2.9V

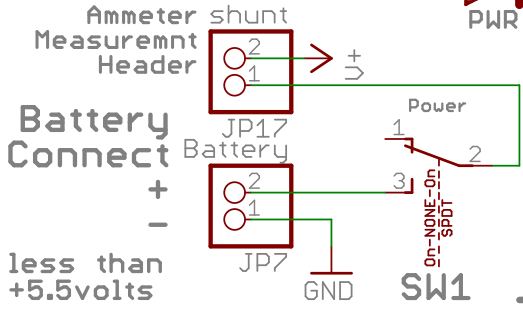
RESET



LED1 is Lit when +3.3Volts is OK and RESET is over
LED1 is OFF while SW2 is pushed.



GX64's Power Supply with POR



+3.6Volts Lithium Cell is recommended

GX64: Gustech's XC2C64A micro-Test-Platform Board

| | |
|--|------|
| Created by GUSTECH IR&D Design Support | |
| GX64 | |
| 10/3/2017 11:20:56 AM | |
| Sheet: 3/4 | V1.0 |

